



altro

PVC corner protectors

Available in 3", 5", 48" and 98" options

updated 03/23/23

3" + 5" corner protectors

Our 3" and 5" PVC corner protectors offer heavy-duty protection for flash covered vinyl flooring. With the ability to resist rust and corrosion, this accessory can adapt to multiple applications that demand impact resistance and durability.

Frequently used in commercial kitchen and back-of-house environments.

For fastening use #10 stainless steel screws — available at all hardware and home improvement stores. Length of screw and the internal anchor to be determined by wall type (i.e. metal stud wall, wood stud wall, concrete block wall, etcetera). Altro does not provide screws or anchors as each wall type will have different requirements for fastening (screw length and wall anchor).

Features and benefits

- High impact resistance
- 2" x 2" x 3" and 2" x 2" x 5"
- In stock and special order colors available
- Prevents damage to outside flash covered corners
- Installs easily with 3 screws (#10 stainless steel screws)

Stocking color options



| Stocking colors (no MOQ) | 3" corners | 5" corners |
|--------------------------|------------|------------|
| Urban | A543/210 | A545/210 |
| Fawn | A543/206 | A545/206 |

Special order color options

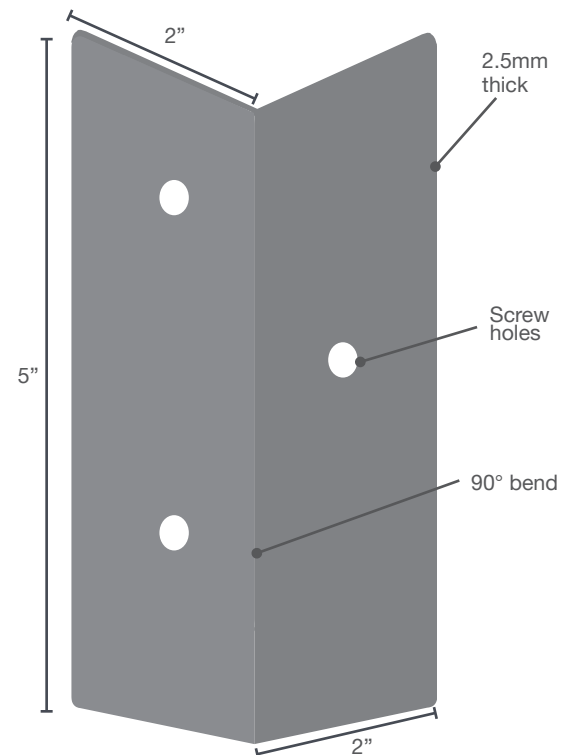
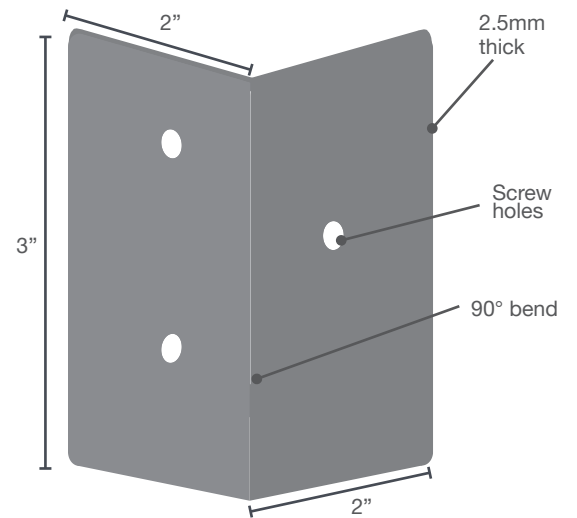
Special order colors available by selecting any color from our Altro Whiterock, Altro Whiterock Chameleon, Altro Whiterock Matte, or Altro Whiterock wall design ranges.

Minimum order qty of 176, increments of 176 for 3" special order corners.

Minimum order qty of 160, increments of 160 for 5" special order corners.

Lead time 4 - 6 weeks

Please note: Selecting a special order color will be an aesthetic decision and will not provide additional protection, and in some choices less.



See reverse side for 48" and 98" corner protectors



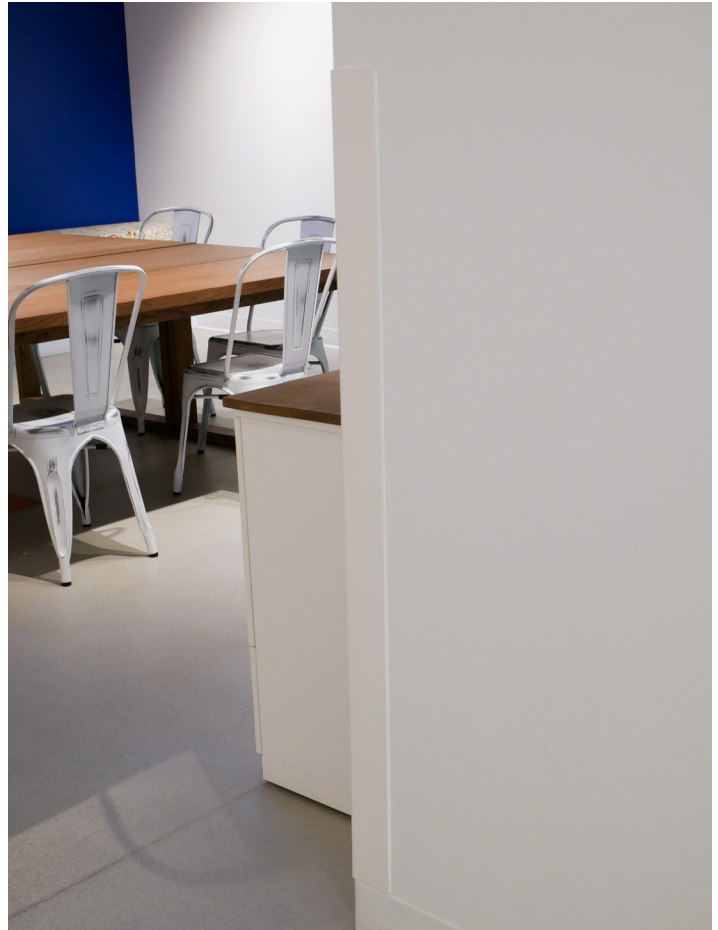
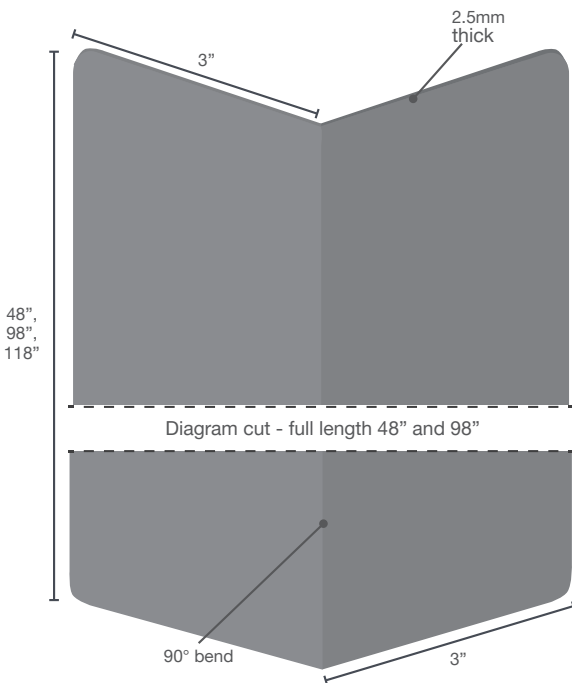
48" and 98" corner protectors

These 48" and 98" PVC corner protectors provide walls with a sleek, durable corner finish. This accessory protects external corners from dents that are common in many commercial environments.

They can be used simply overtop painted drywall or a wall paneling system in high traffic environments.

Features and benefits

- 3" x 3" x 48" in stock
- 3" x 3" x 98" fabricated on-demand
- 90° corner
- Prevents damage to outside corners
- Full spread adhesive application
- High impact resistance



Above: Photo of a completed corner protector installation.



Left: Close-up of corner installation with optional sanitary sealant applied around perimeter.

Color options



| Color | 48" | 98" |
|------------|---------------|---------------|
| Battleship | A539/12/FT208 | A539/25/FT208 |
| Tan | A539/12/FT206 | A539/25/FT206 |
| Almond | A539/12/FT32 | A539/25/FT32 |
| Pearl | A539/12/FT41 | A539/25/FT41 |
| Denim | A539/12/FT201 | A539/25/FT201 |

Special order color options

Special order colors available by selecting any color from our Altro Whiterock, Altro Whiterock Chameleon, Altro Whiterock Matte, or Altro Whiterock wall design ranges.

Minimum order qty of 7, increments of 7 for 48" corners.

Minimum order qty of 3, increments of 3 for 98" and 118" corners.

Lead time 4 - 6 weeks

Please note: Selecting a special order color will be an aesthetic decision and will not provide additional protection, and in some choices less.