

Schlüter®-VINPRO-RO

Finishing profile for resilient coverings
on walls

Product data sheet

Application and function

Schlüter-VINPRO-RO is a high-quality finishing and edge profile made of anodised aluminium for creating elegant external finishing edges on walls with resilient coverings (e.g. LVT coverings). Its contour forms a symmetrically rounded corner. The profile is attached to the wall with suitable screws or a suitable installation adhesive (e.g. Schlüter-KERDI-FIX).

Material

Schlüter-VINPRO-RO is available in the following materials:
ACGB = Brushed chrome anodised aluminium. Part No. **TEG2.5/TRIM**

Material properties and areas of application:

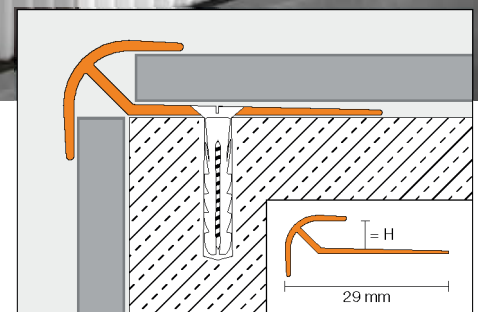
In applications exposed to chemical or mechanical stresses, the profile's suitability must be verified.

The information provided below is intended as a general guideline.

Anodised aluminium: The aluminium features an anodised finish that may be damaged by aggressive substances or abrasive stresses. Damage to the anodised surface can be restored with paint.



Brushed chrome anodised aluminium.
TEG2.5/TRIM





Installation

Attachment with screws:

1. Select Schlüter-VINPRO-RO according to the thickness of the covering.
2. Transfer the positions of the drill holes to the substrate at the edges of the covering and drill holes with a diameter of 5 mm for the screw anchors.
3. Attach the profile to the wall with counter-sunk screws, Ø 3.5 mm.
4. Follow the manufacturer's specifications for installing the covering.

Attachment with construction adhesive:

1. Select Schlüter-VINPRO-RO according to the thickness of the covering.
2. Adhere the profile with the installation adhesive Schlüter-KERDI-FIX or an equivalent material at the edges of the covering. This installation method is especially suitable for areas where the profile cannot be screwed to the substrate.
3. Follow the manufacturer's specifications for installing the covering.

Note: The substrate must be load-bearing and free from debris.

Note

Schlüter-VINPRO-RO requires no special maintenance or care. Do not use abrasive cleaning agents on the sensitive surfaces. Damage to the anodised surface can be restored with paint. All cleaning agents must be free of hydrochloric and hydrofluoric acid.

Product overview:

Schlüter®-VINPRO-RO

ACGB = brushed chrome anodised aluminium

Part No. TEG2.5/TRIM

H = mm	3	Length supplied: 2.50 m
ACGB	•	

Text template for tenders:

_____ linear metres of Schlüter-VINPRO-RO as a high-quality profile for the quick installation of elegant finishing edges at walls, to be supplied and professionally installed.

Install according to manufacturer's specifications.

Material:
 ACGB = Brushed chrome anodised aluminium
 Height of profile channel H = _____ mm
 Art.-No.: _____
 Material: _____ £/m
 Labour: _____ £/m
 Total: _____ £/m



For further information or technical advice
tel: 03 9764 7000
email: info@asf.com.au or www.altro.com/au