

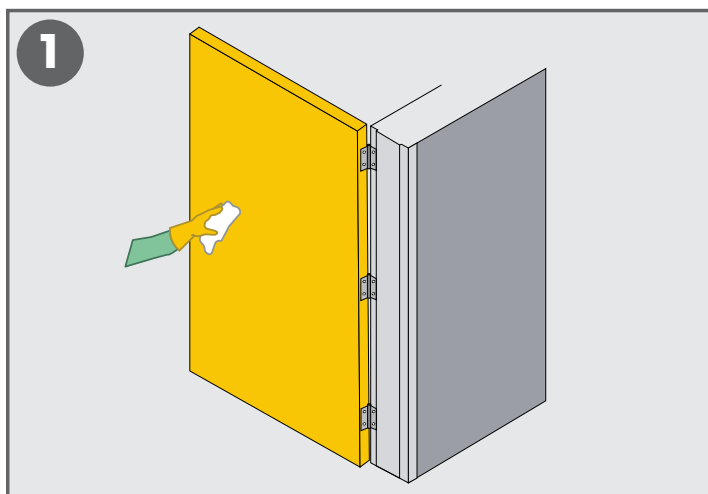
altro

# Altro Fortis Titanium 15 fire door accessories push plate and kick plate installation

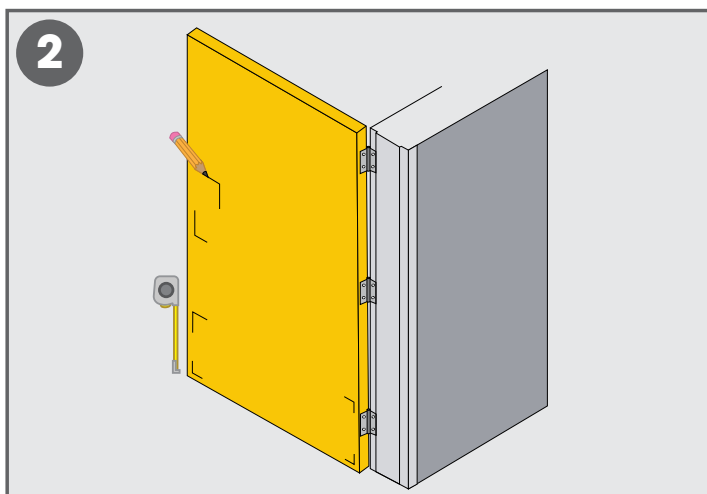
updated 11/29/23

A step-by-step illustrated guide to installing AFT push plates and kick plates

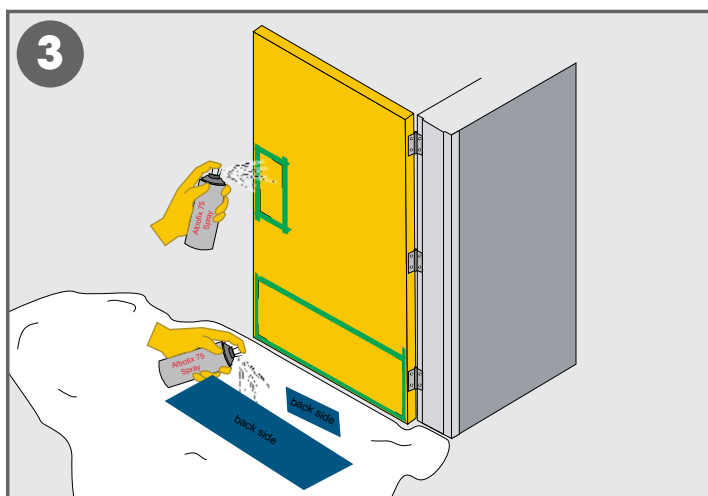
Additional technical documentation and maintenance guides are available online at [altro.com/techdocs](https://altro.com/techdocs)



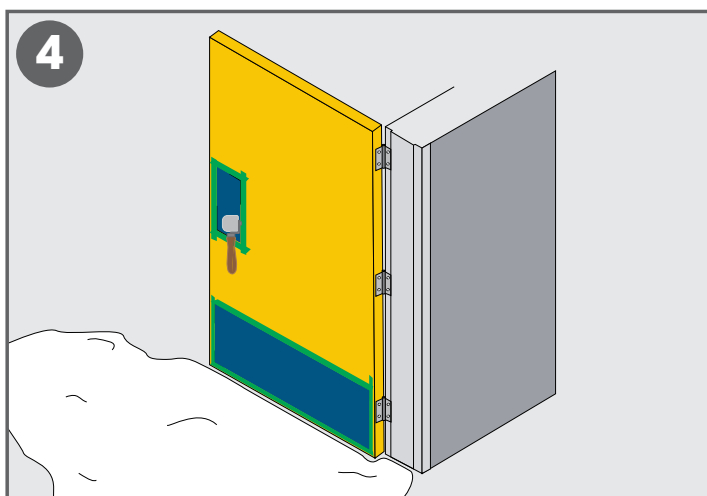
1. Start off by cleaning the door surface. The substrate must be clean and dry, free from dust, dirt, grease, oils, solvents, loose paint or any other contaminants.



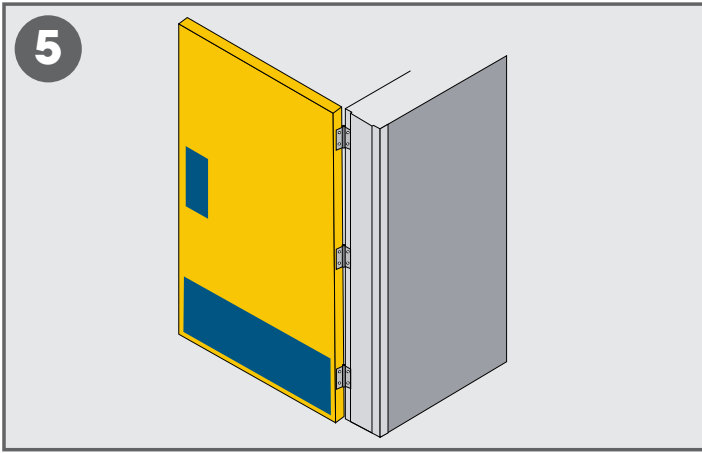
2. Determine the location for push plate and/or kick plate. Take measurements if needed, make set marks as a positioning guide.



3. Use a drop cloth and mask the surrounding door surface to protect from overspray. Spray the backside of each push plate and/or kick plate as well as the door surface with AltroFix 75 Spray. Hold can 6"-10" from material. Allow adhesive to dry to the touch.



4. Once the adhesive is dry, position the push plate and/or kick plate. Roll entire plate(s) with a hand roller to ensure it is fully adhered.



5. Once rolling is complete, finish the installation by removing all masking tape from the door.