



altro

installation techniques and detailing

transition with clamping channel

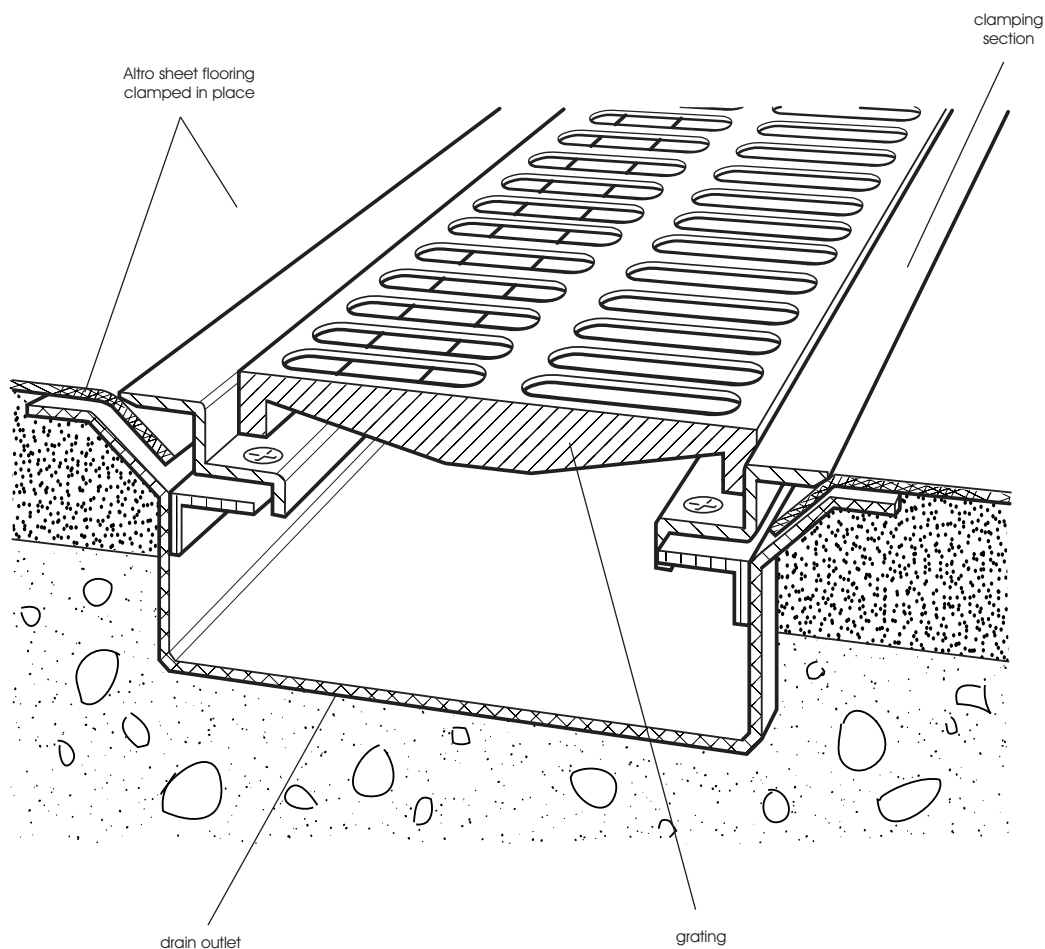
NOVEMBER 2005

For locations where the drainage of liquid spillages from floors is a necessity and a watertight seal must be formed with the drain channel. For clamping type channel gullies* which have been installed in accordance with the manufacturer's instructions. The sheet vinyl flooring must be dressed down and adhered with a water

resistant adhesive into the drain outlet and be secured by the clamping section.

*For example those manufactured by Wade International, Tel 01787 475151; Fax 01787 475579; e-mail tech@wadedrainage.co.uk.

Drawing Ref. D14/03/05



for further information or technical advice

tel: 01462 707600 fax: 01462 707515

e-mail enquiries@altro.com or explore www.altro.com