

12. Drains and cleanouts

12.4 New Round Drains and Cleanouts

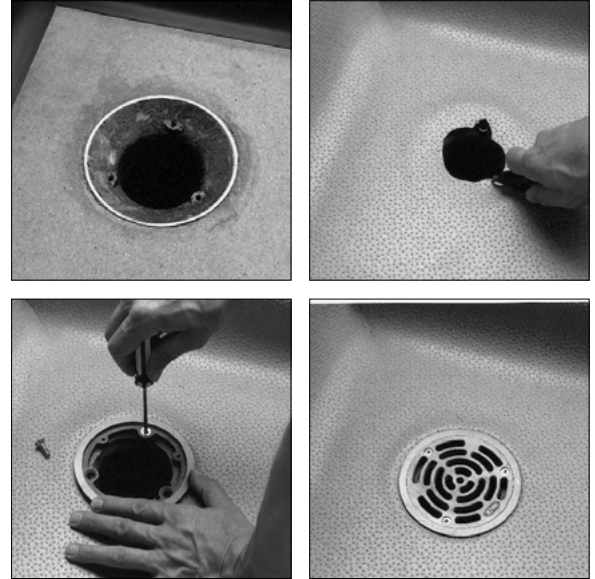
Clamping drains are the best choice for a proper installations, and the only choice for areas where water penetration concerns are a priority. These drains are readily available from plumbing supply distributors. They may be installed at time of concrete placement or retrofitted. They are screw on and height adjustable. They come in a variety of drainage pipe diameters and cover sizes. We prefer the larger cover sizes.

The following are acceptable manufacturers and their products:

Zurn Z 400 H – 6/9H

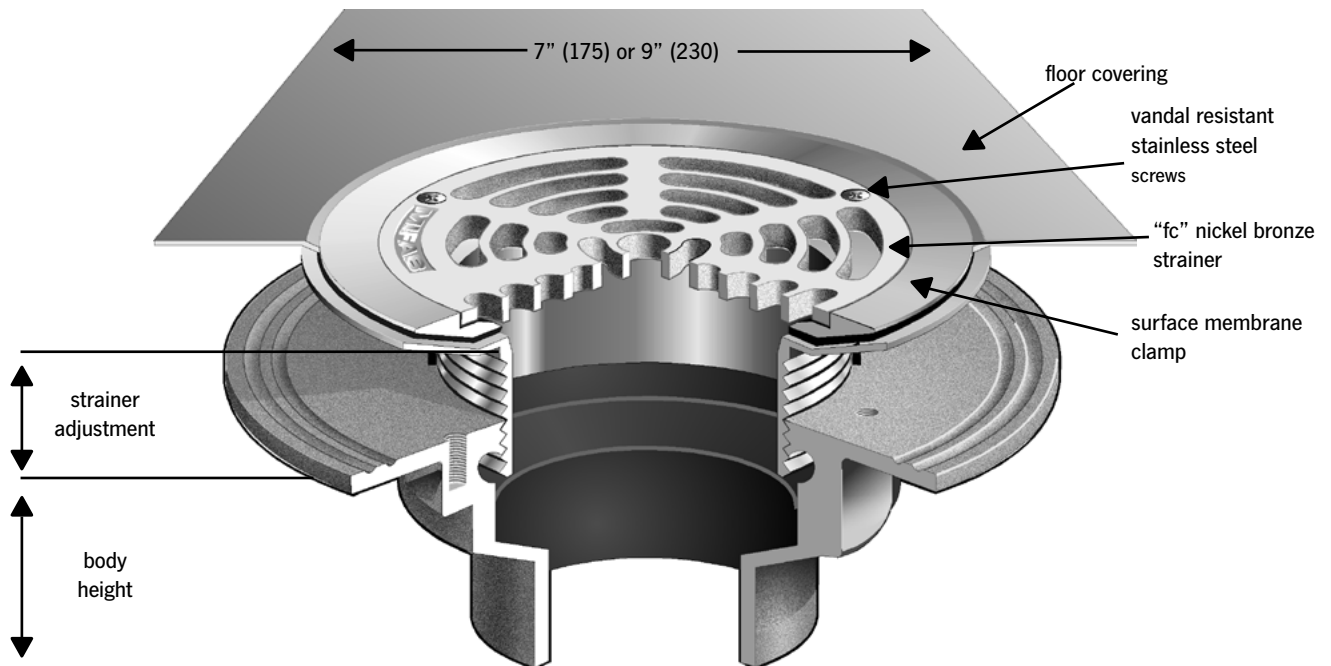
Wade 110 – FC6/9

Mifab F1100 – FC



MIFAB - F1100 - FC

Floor Drain with Surface Membrane Clamp



Sample of an approved clamping