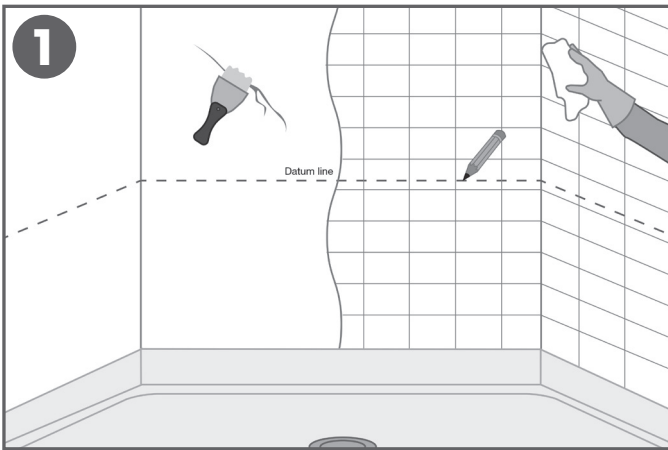
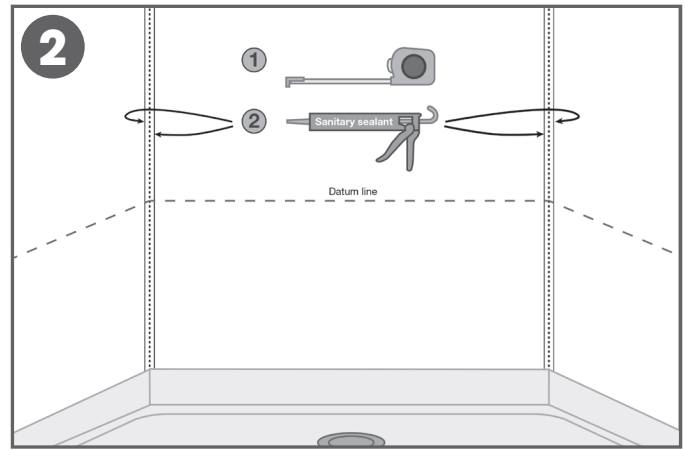


Installation instructions for Altro Tegulis™ wall panels

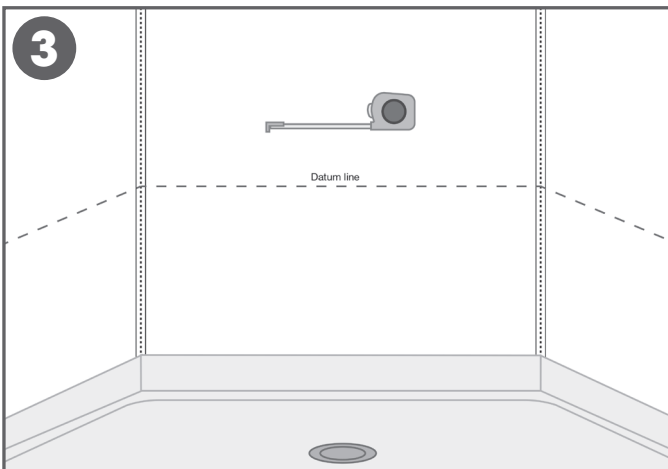
A step-by-step illustrated guide to installing Altro Tegulis



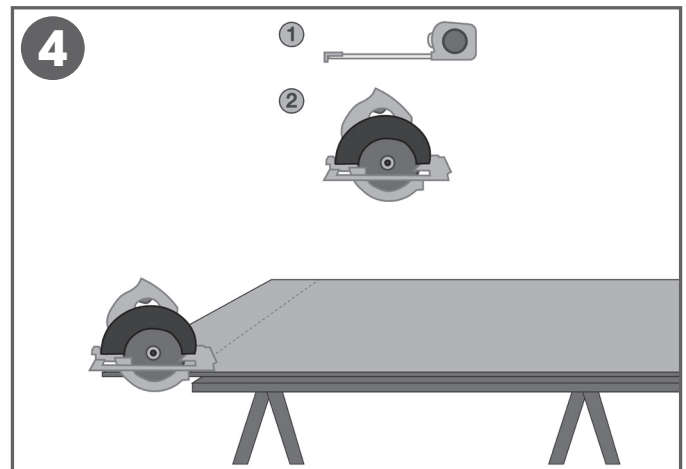
1. All surfaces must be smooth, sound, dry, and free of contamination. Check walls for flatness especially at seam location(s). Existing wall tiles must be cleaned to remove soap residue and contaminants, rinsed with clean water and allowed to dry. Any loose tiles must be fixed and made sound. Lastly add a datum line with pencil.



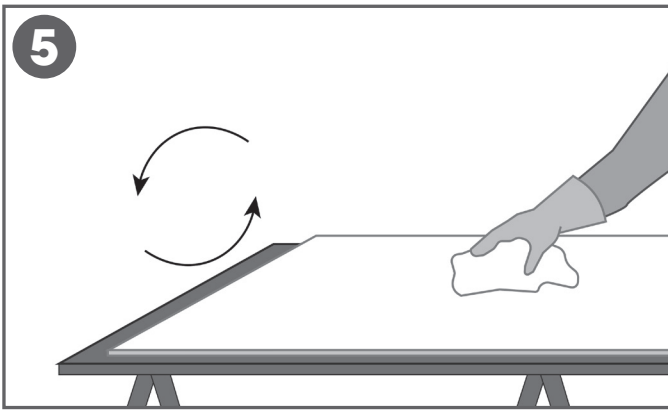
2. Apply a bead of Altro sanitary sealant to the substrate vertically on both sides of the corner where the sheets are to be installed.



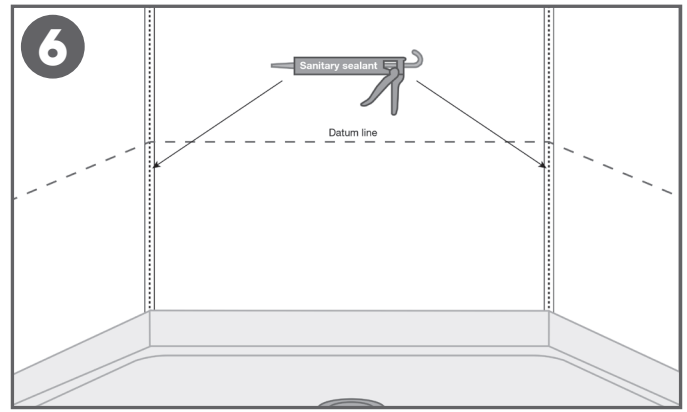
3. Measure distance between corners allowing for a 2mm tolerance in each corner. Any distance over the width of a single sheet and in a wet area application will require the half-lap seam method. Orientation of the panels will need to be determined prior to the ordering process.



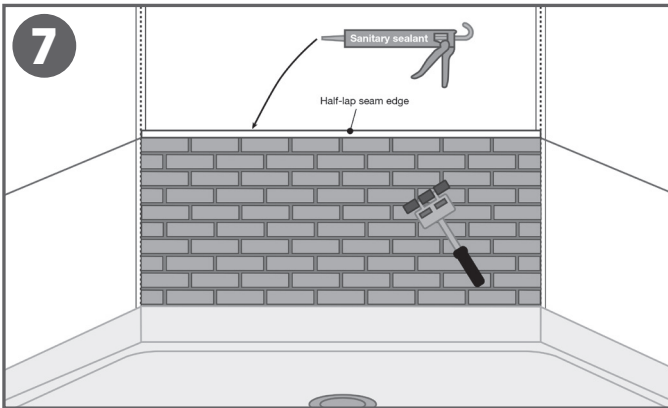
4. Measure and mark out the previously determined measurements onto the panel. Make any necessary cuts. Dry fit to ensure proper fit.



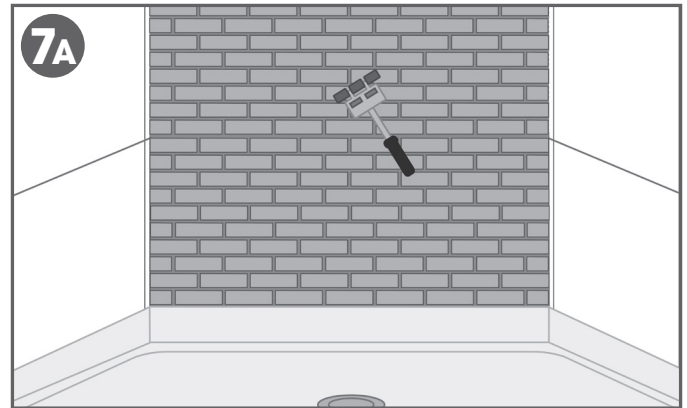
5. Clean the back of the panels to remove dust and contaminants.



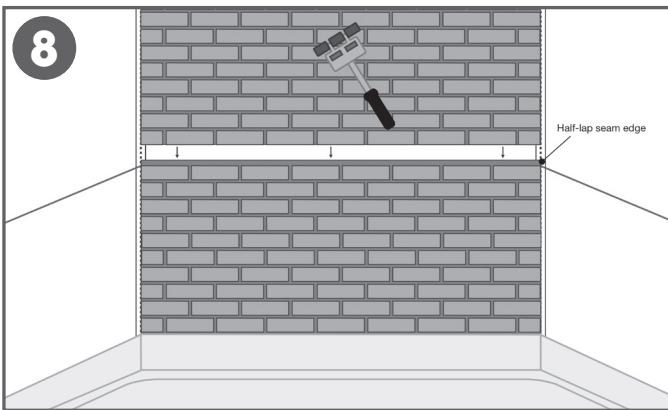
6. Depending on the environmental conditions and substrate, mixing of two part adhesives may be necessary. Follow adhesive label and mix thoroughly. Apply AltroFix adhesive to back of panel.



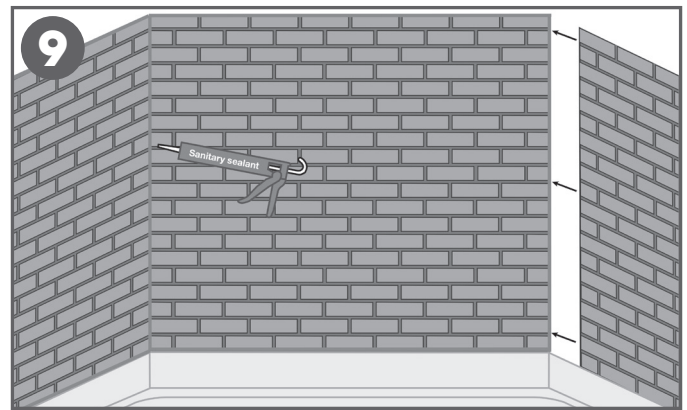
7. Install panel into position with correct spacing and aligned on or with datum line. Use a 3 wheeled roller to roll entire panel to ensure proper bond to wall substrate. Apply a 2mm bead of Altro sanitary sealant adhesive to the half lap seam edge. Be sure to keep it above the visible seam edge.



7A. If the distance is less than the panel width, it can be installed vertically (dependent on design). Install panel into the correct position. Use a 3 wheeled wall roller to roll entire panel to ensure proper bond to the substrate.



8. Install the top panel as previously instructed with correct space and properly aligned with the previously installed bottom panel. Use a 3 wheeled roller to roll entire panel to ensure proper bond to wall substrate.



9. Side wall panels can be installed vertically which will need to be determined prior to the ordering process. This allows full panels to be installed without any seams. This is recommended only if the wall is less than the panel width. Install adjacent panels as previously instructed. Peel back the protective film at the inside corners as well as top and bottom of all panels and apply a bead of colour coordinated Altro sanitary sealant as shown in drawing to prevent moisture ingress.

Note: Once installation is complete. Remove protective film and clean with Altro anti-static solution or equivalent. Leave for 24 hours prior to being put into use.

For further information or technical advice

tel: 03 9764 7000

email: info@asf.com.au or www.altro.com/au

Altro Limited, Works Road, Letchworth Garden City, Hertfordshire SG6 1NW.

Altro, AltroFix and Altro Tegulis are trademarks of Altro Limited.