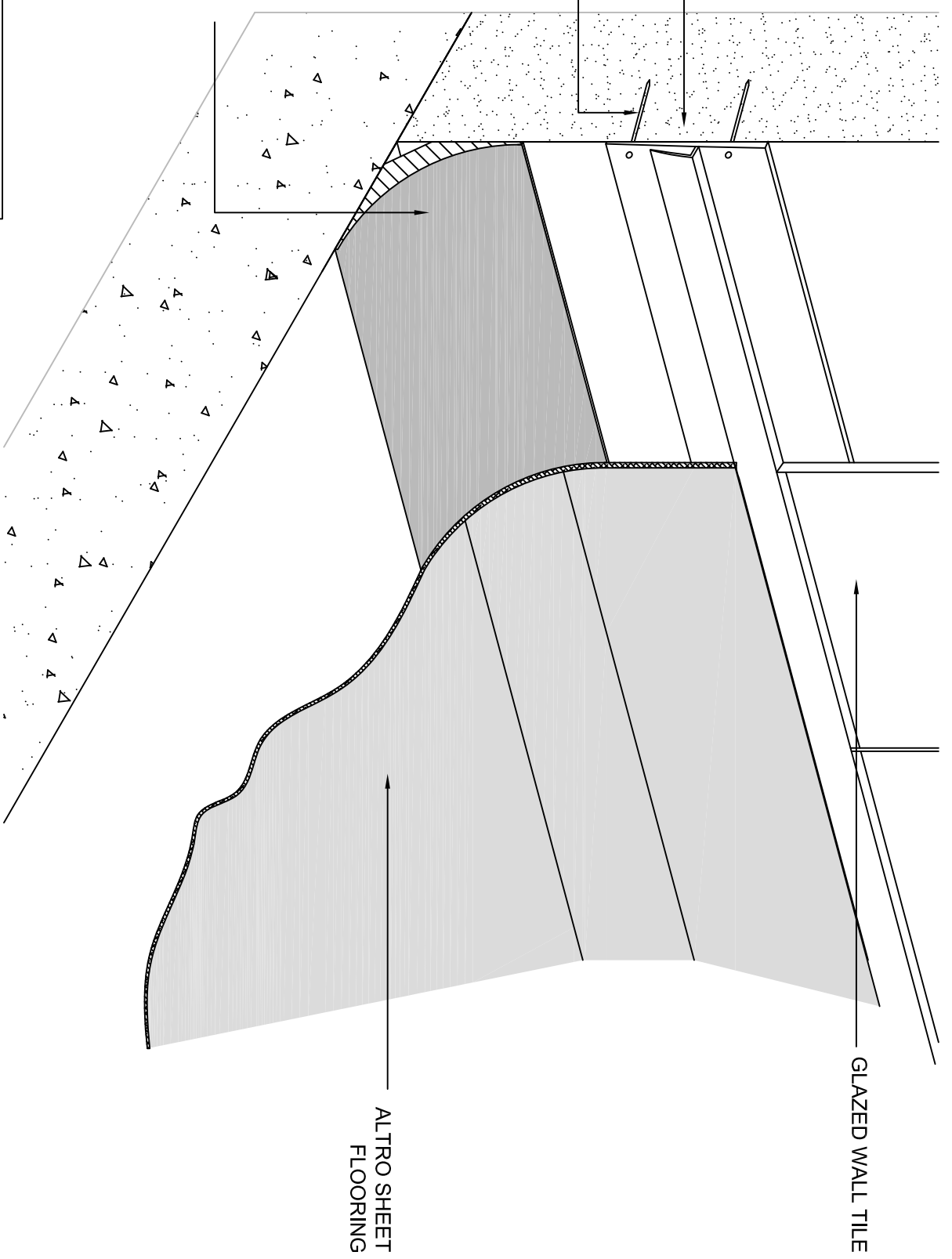


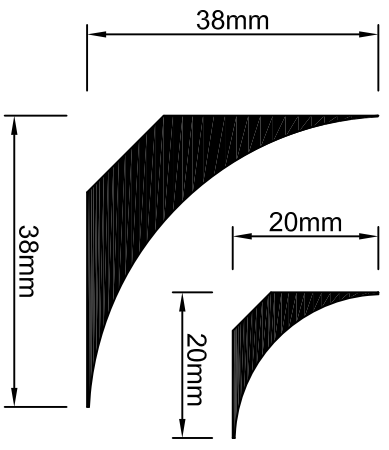
CAPPING SEAL  
C8

MASONRY NAIL  
FIXING AND TILE  
ADHESIVE, HOLE  
DRILLED IN PVC  
FIRST



GLAZED WALL TILE

ALTRO SHEET  
FLOORING



COVE  
FORMER  
38R

COVE  
FORMER  
20R



the future is safer with altro

Altro Limited, Works Road, Letchworth Garden City, Hertfordshire SG6 1NW.  
Tel: 01462 707604 Fax: 01462 707504 e-mail: enquiries@altro.com www.altro.com

<b>PROJECT:</b>		<b>DRAWING</b>	
		D4/03/05	
<b>TITLE:</b>		<b>DRAWN BY</b>	
ALTRO FLOORING - SELF-COVERED WITH COVE FORMER AND CAPPING SEAL C8		PG	
<b>DATE</b>		<b>REVISION BY</b>	
2012		--	
<b>SCALE</b>		<b>REVISION</b>	
NTS		A	