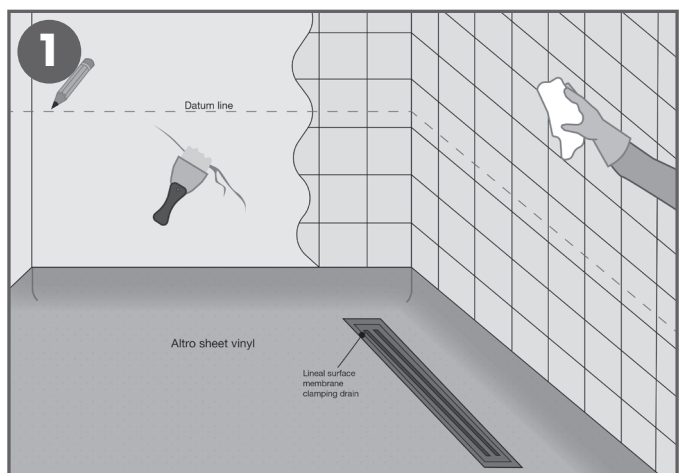
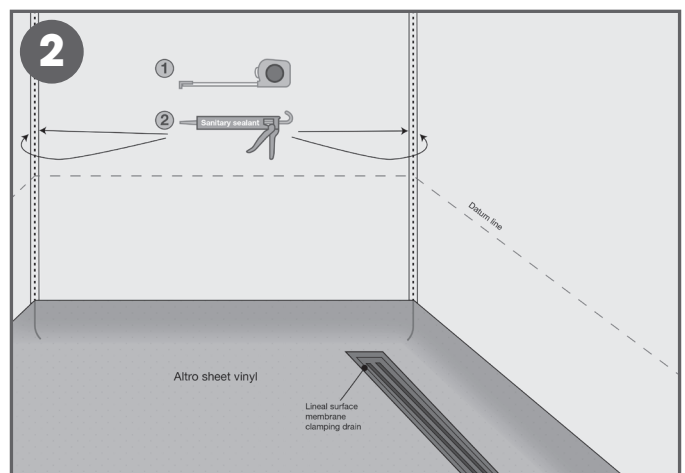


Installation instructions for overlapping Altro Tegulis™ wall panels

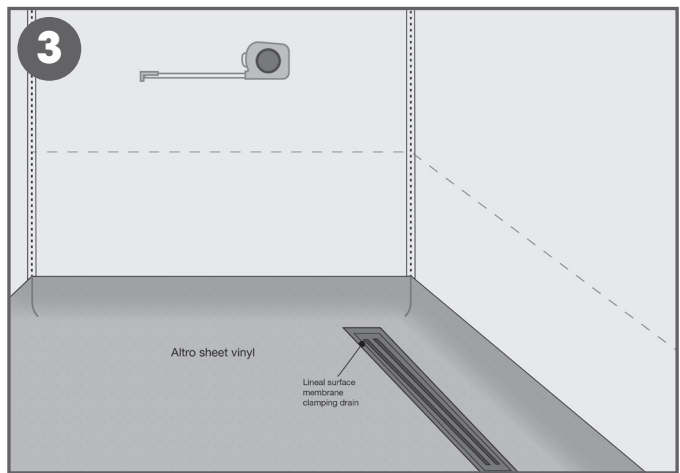
A step-by-step illustrated guide to installing Altro Tegulis with the overlap method



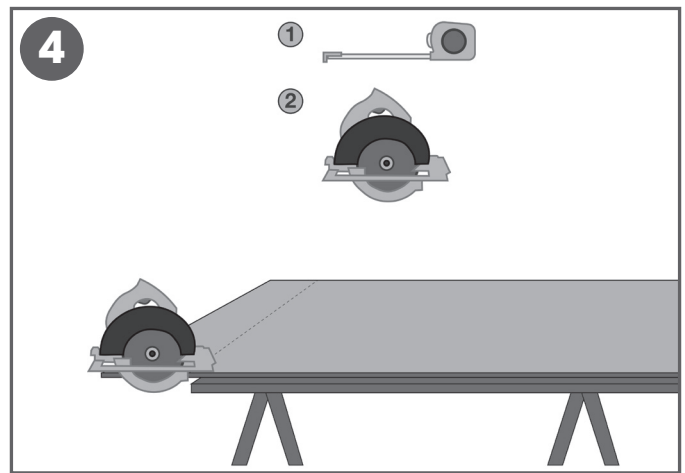
1. All surfaces must be smooth, sound, dry, and free of contamination. Check walls for flatness especially at seam location(s). Existing wall tiles must be cleaned to remove soap residue and contaminants, rinsed with clean water and allowed to dry. Any loose tiles must be fixed and made sound. Lastly add a datum line with pencil.



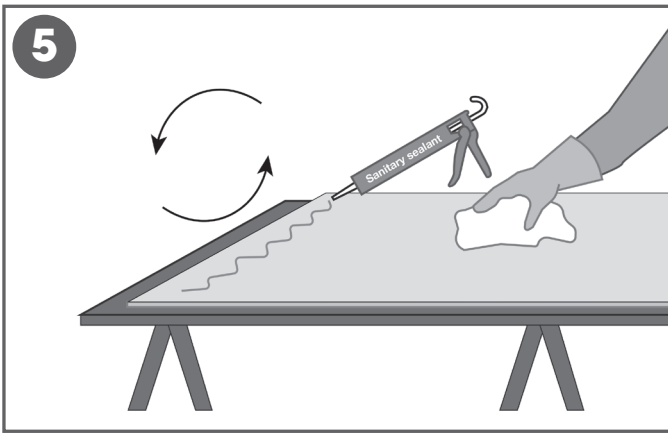
2. Apply a bead of Altro sanitary sealant to the substrate vertically on both sides of the corner where the sheets are to be installed.



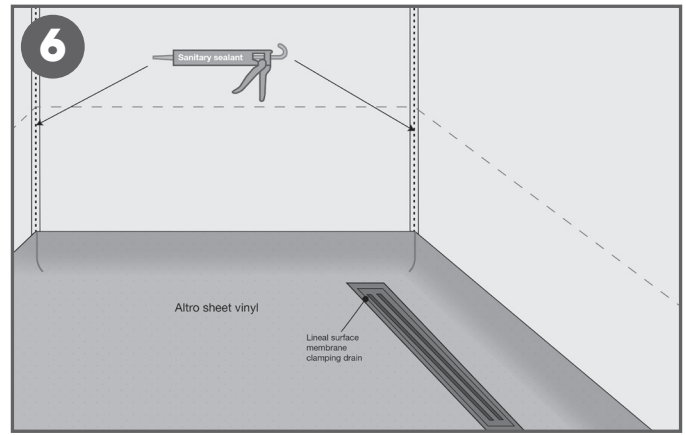
3. Measure distance between corners allowing for a 2mm tolerance in each corner.



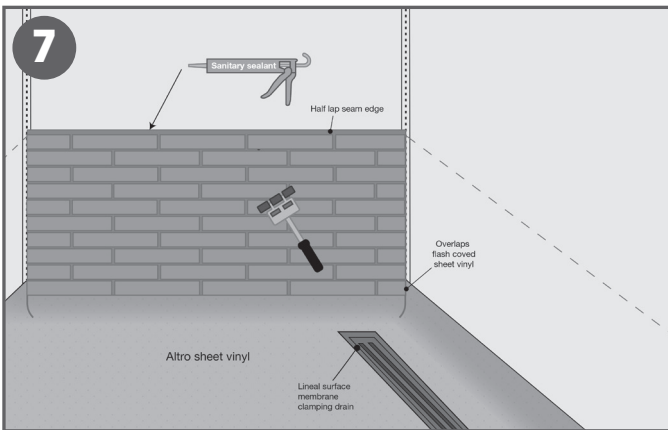
4. Measure and mark out the previously determined measurements onto the panel. Make necessary cuts. Always dry fit to ensure proper fit.



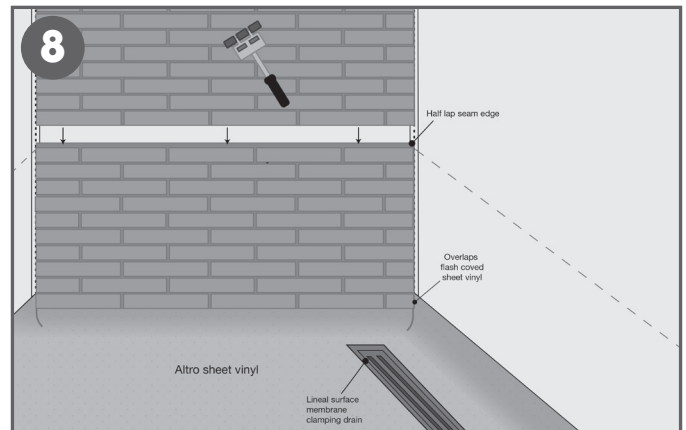
5. Clean the back of the panels to remove dust and contaminants. Apply Altro sanitary sealant on the back of the panel where it will overlap the existing coved flooring.



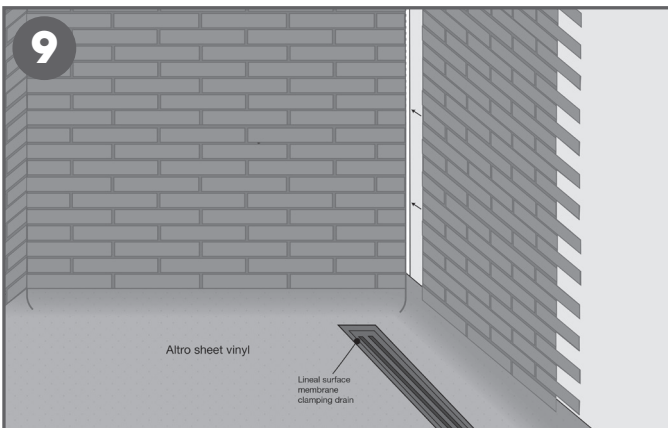
6. Depending on the environmental conditions and substrate, mixing of two-part adhesives may be necessary. Follow adhesive label and mix thoroughly. Apply AltroFix adhesive to back of panel.



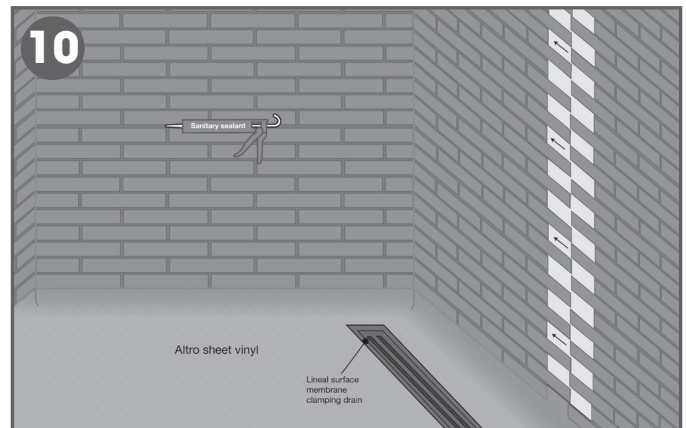
7. Install panel into position with correct spacing and aligned on or with datum line. Use a 3-wheeled wall roller to roll entire panel to ensure proper bond to wall substrate. Apply a 2mm bead of Altro sanitary sealant to the half-lap seam edge. Be sure to keep it above the visible seam edge.



8. Install the top panel as previously instructed with correct space and properly aligned with the previously installed bottom panel. Use a 3-wheeled wall roller to roll entire panel to ensure proper bond to wall substrate.



9. Additional wall panels that are not in direct contact with continuous moisture can be installed vertically with the interlocking joining method. This allows full panels to be installed without any horizontal seams. Install adjacent panels as previously instructed.



10. Peel back the protective film at the inside corners as well as top and bottom of all panels and apply a bead of colour coordinated Altro sanitary sealant as shown in drawing to prevent moisture ingress. **Note:** Once installation is complete, remove protective film and clean with Altro anti-static solution or equivalent. Leave for 24 hours prior to being put into use.

For further information or technical advice

tel: 03 9764 7000

email: info@asf.com.au or www.altro.com/au